

**RED BLUFF DIVERSION DAM - SCREW PUMP DEMONSTRATION PROJECT - CONCEPTUAL DESIGN**  
**FUNCTION ANALYSIS SYSTEM TECHNIQUE (FAST) DIAGRAM**

**HOW?**  
 >>>>

**WHY?**  
 <<<<

DESIGN OBJECTIVES

- ELIMINATE (FISH) INJURY
- MEET DELIVERIES

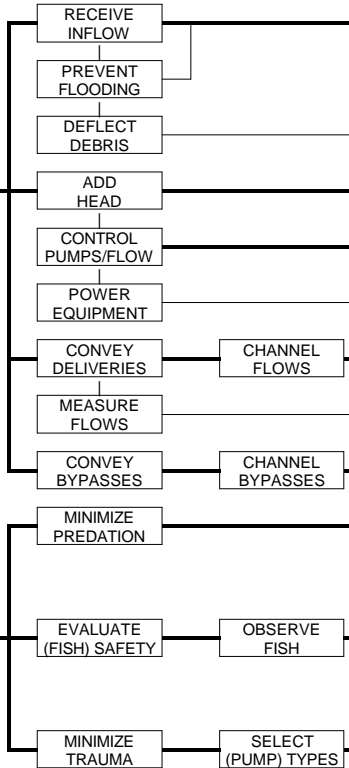
ALL THE TIME

- FACILITATE O&M
  - ENCLOSE SPACE
  - ACCESS EQUIPMENT
  - HOUSE EQUIPMENT
  - OPERATE EQUIPMENT
- FACILITATE CONSTR
  - ISOLATE (CONST) SITE
  - REMOVE GROUNDWATER
  - ENABLE CONSTR

- CONSTRUCT INTAKE
- CONSTRUCT PUMPBAY
- CONSTRUCT EVAL FACILITY
- INSTALL MECHANICAL
- CONSTRUCT COFFERDAM
- CONSTRUCT DEWATERING
- MOBILIZE & PREPARE
- CONSTRUCT INTAKE

MEET DEMANDS

DELIVER WATER



CONSTRUCTION ACTIVITIES

HIGHER ORDER FUNCTION

BASIC FUNCTIONS

SUPPORTING FUNCTIONS